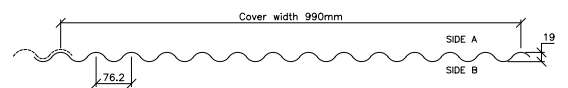




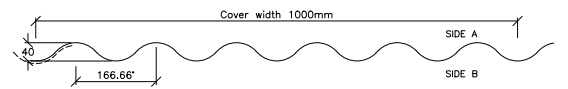
## Sinusoidal, Half-Round & Concave Profiles 100% Non-Combustible Construction

- Available in aluminium, steel and Cor-ten (18HR & 45HR only)
- Available as a fire-resistance rated insulated system assembly when combined with APL Tritherm™ Spacer System, with simple system upgrades for improved fire resistance performance
- Available in natural mill finish aluminium and Cor-Ten, PPC, Armacoil™ HDP, APL PUF, PRISMA and LG finishes
- Tested to CWCT-standards (45HR & 18HR) as a rainscreen
- Available with coating warranties up to 40 years including marine environments
- Available perforated and in bespoke widths
- Can be laid both horizontally and vertically
- System constructions available onto APL StrongBak™, cladding rails, SFS and blockwork
- Can be installed as part of the non-combustible APL EcoClad™ Energi Systems
- Available as part of APL SoundWall™ Acoustic system with weighted sound reduction of upto 64dB

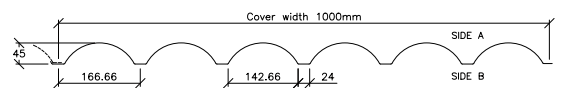
AP 18 HR



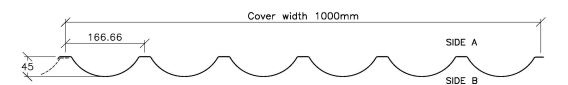
AP 45 HR



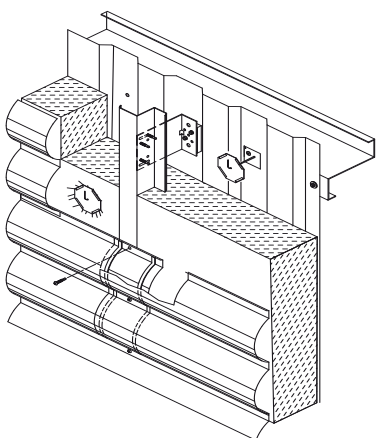
AP 50 HR



AP 50-Curveline™



Typical Non-Combustible Horizontal Assembly



Typical Non-Combustible Vertical Assembly

